



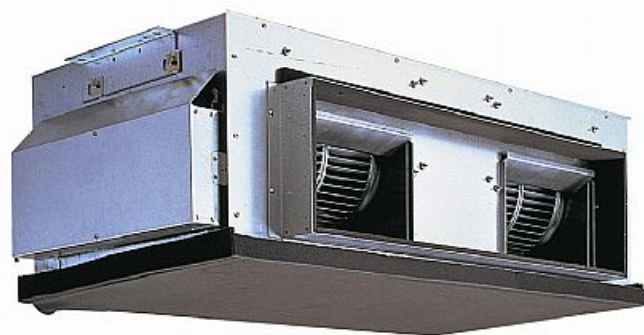
# PEA-RP400GAQ

Power Inverter Heat Pump

R410A Large Capacity Ceiling Concealed Ducted System

Advanced inverter technology makes the Mr Slim Power Inverter the number one choice for improving comfort. They provide energy savings of up to 70% annually when compared to a previous non-inverter model. Operating noise has also been reduced thanks to improvements in fan design, while existing pipe work is reusable for easier maintenance and installation.

- **Two outdoor units are required for this system**
- **Static pressure of up to 150Pa**



Pictures not to scale

# Product Details

## PEA-RP400GAQ Indoor Unit

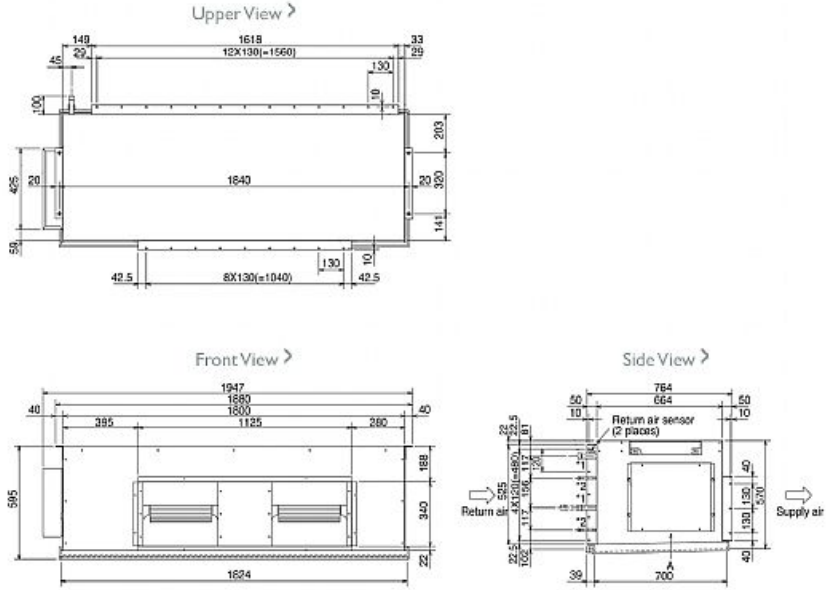
Capacity (kW):	
Heating (Nominal) (Low - High)	44.80 (18.00 - 50.00)
Cooling (Nominal) (Low - High)	38.00 (18.00 - 44.80)
Heating (UK) (Low - High)	38.10 (15.30 - 42.50)
Cooling (UK) (Low - High)	34.95 (16.55 - 41.20)
SHF R410A (Nominal)	0.75
COP / EER (Nominal)	3.57 / 2.93
Energy Label Heating / Cooling	B / C
Width - mm	1947
Depth - mm	764
Height - mm	595
Weight - kg	130
Airflow (m3/min)	120
External Static Pressure Pa	150
Noise (dBA)	52
Pipe Size Gas mm (in)	28.58 (1 1/8)
Pipe Size Liquid mm (in)	9.52 (3/8)
Electrical Supply	380-415v, 50Hz
Phase	3
Fuse Rating (BS88) - HRC (A)	10
Interconnecting Cable No. Cores	3

## PUHZ-RP200YKA Outdoor Unit

Width - mm	1050
Depth - mm	330+30
Height - mm	1338
Weight - kg	135
Noise (dBA) (Heating /Cooling) - Lo-Hi	59 /55-58
Electrical Supply	380-415V, 50Hz
Phase	3
Fuse Rating (BS88) - HRC (A)	20
SystemPower Input (kW) - Heating (Nominal)	12.55
SystemPower Input (kW) - Cooling (Nominal)	12.95
SystemPower Input (kW) - Heating (UK)	11.17
SystemPower Input (kW) - Cooling (UK)	11.01
Starting Current (A)	5
SystemRunning Current (A) - Heating / Cooling	8.63 / 8.94
Mains Cable No. Cores	5
Max Pipe Length (m)	120
Max Height Difference (m)	30
Charge (kg) - 30m	7.1

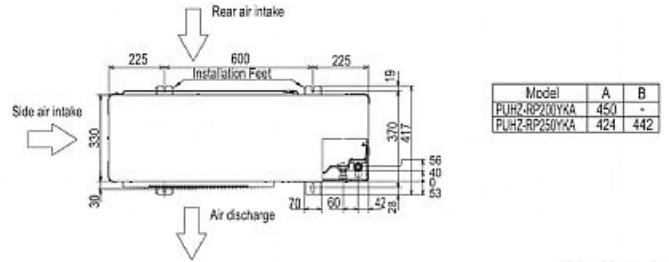
## Dimensions

PEA-RP400GAQ

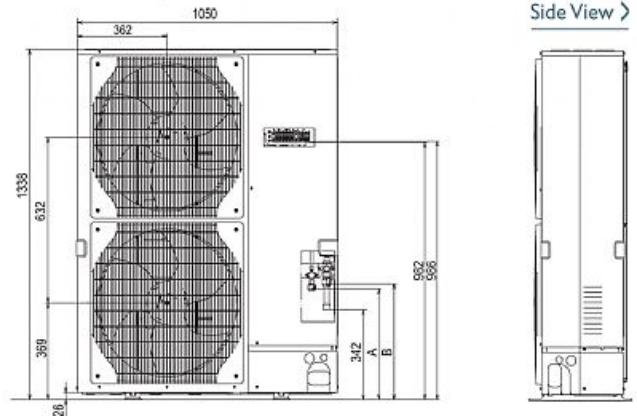


PUHZ-RP200YKA

Upper View >



Front View >



Telephone: 01707 282880

Email: [air.conditioning@meuk.mee.com](mailto:air.conditioning@meuk.mee.com) Website: <http://www.mitsubishielectric.co.uk/aircon>

Mitsubishi Electric reserves the right to make any variation in technical specification to the equipment described, or to withdraw or replace products without prior notification or public announcement.

Tel:  
Fax:

